

1 2 3 4 5 6

A

A

B

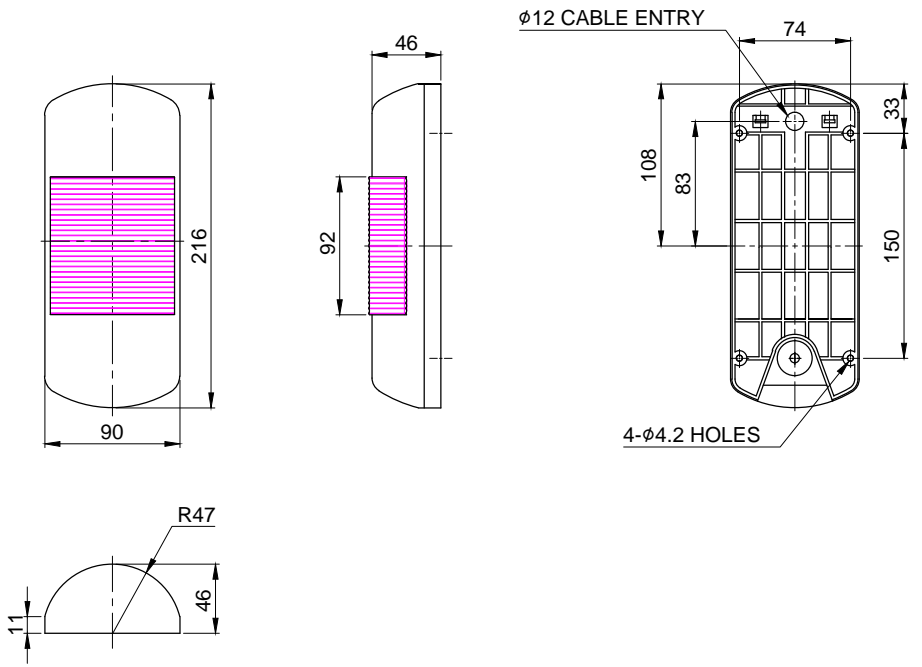
B

C

C

D

D



MARK	DATE	REVISION	REVISER	APP .BY
①				
②				
③				

MODEL NO		SWTC			
MATERIAL		HOUSING-ABS			
		LENS-PC			
		COVER-ABS			
		FILTER LENS-PC			
COLOR OF LENS		RED( ), AMBER( ), GREEN( )			
FLASHES PER MIN.		60~80			
USE VOLT.	LED	CURRENT	DC12V	0.08W	MAX. 0.444A
			DC24V		MAX. 0.200A
			AC110V		MAX. 0.073A
			AC220V		MAX. 0.036A
VOLUME		MAX. 90dB at 1m			
PROTECTION GRADE		WATER & DUST PROOF IP55			
CABLE ENTRY		φ12 LEAD HOLE			
COLOR OF HOUSING		MAKER STANDARD			
ACTION		MANY COLOR LED STEADY/ FLASHING LIGHT			

	ISO2768-1 : CLASS OF TOLERANCE					SURFACE FINISH
	f	m	Ⓢ	v		
FOR LINEAR DIMENSIONS	0.5~3	±0.05	±0.1	±0.2	-	
	3~6			±0.3	±0.5	
	6~30	±0.1	±0.2	±0.5	±1	
	30~120	±0.15	±0.3	±0.8	±1.5	
	120~400	±0.2	±0.5	±1.2	±2.5	
	400~1000	±0.3	±0.8	±2	±4	
FOR ANGULAR DIMENSIONS	0~10	±1°		±1°30'	±3°	
	10~50	±0°30'		±1°	±2°	
	50~120	±0°20'		±0°30'	±1°	
	120~400	±0°10'		±0°13'	±0°30'	

Nr.	DWG. NO.	TITLE/ NAME		MAT'L	QTY	REFERENCE
DSND BY	CHKD BY	CHKD BY	APRV BY	VIEW	DATE	
S.H.KIM	J.H.PARK		J.K.HAN	3	2016.08.30	
TITLE			MODEL			
SWTC OUTLINE DRAWING			SWTC			
			DWG. NO.	SWTC_OUT		
SCALE	SIZE	REV	SHEET			
N/S	A4	00	1/1			

1 2 3 4 5 6

A4(297X210)