

1 2 3 4 5 6

A

B

C

D

A

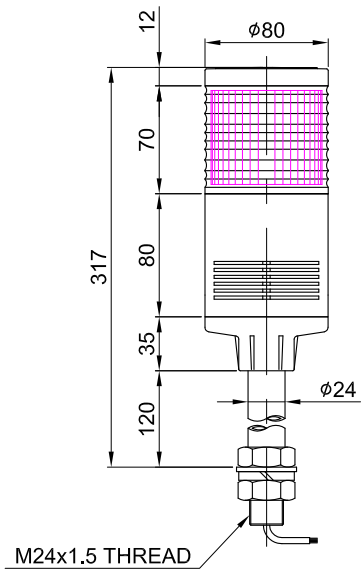
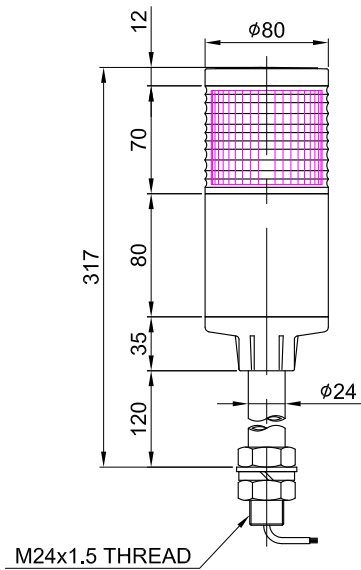
B

C

D

STC80L : AC/DC  
 STC80LF : AC/DC  
 STC80L-BZ : DC  
 STC80LF-BZ : DC

STC80L-BZ : AC  
 STC80LF-BZ : AC



MARK	DATE	REVISION	REVISER	APP .BY
△				
△				
△				

MODEL NO		STC80L			
MATERIAL		HOUSING-ABS			
		LENS-AS			
		POLE-AL			
COLOR OF LENS		CLEAR			
FLASHING PER MIN.		60 ~ 80			
USE VOLT.	LED	CURRENT	DC12V	0.08W	MAX. 0.333A
			DC24V		MAX. 0.277A
			AC110V		MAX. 0.073A
			AC220V		MAX. 0.036A
VOLUME		MAX. 90dB at 1m			
PROTECTION GRADE		WATER & DUST PROOF IP44(Buzzer Type IP23)			
CABLE ENTRY		φ20 LEAD HOLE			
COLOR OF HOUSING		MAKER STANDARD			
ACTION		MULTIPLE COLORS LED SIGNAL STEADY/ FLASHING LIGHT			

FOR LINEAR DIMENSIONS	ISO2768-1 : CLASS OF TOLERANCE				
	f	m	Ⓞ	v	-
0.5-3			±0.2		
3-6	±0.05	±0.1	±0.3	±0.5	
6-30	±0.1	±0.2	±0.5	±1	
30-120	±0.15	±0.3	±0.8	±1.5	
120-400	±0.2	±0.5	±1.2	±2.5	
400-1000	±0.3	±0.8	±2	±4	
FOR ANGULAR DIMENSIONS	0-10	±1°		±1°30'	±3°
	10-50	±0°30'		±1°	±2°
	50-120	±0°20'		±0°30'	±1°
	120-400	±0°10'		±0°13'	±0°30'

-	-	-	-	1	-
Nr.	DWG. NO.	TITLE/ NAME		MAT'L	REFERENCE
DSND BY	CHKD BY	CHKD BY	APRV BY	VIEW	DATE
S.H.KIM	J.H.PARK		J.K.HAN	3	2016.08.30
TITLE			MODEL		
STC80L OUTLINE DRAWING			STC80L		
			DWG. NO.		
			STC80L_OUT		
SCALE	SIZE	REV	SHEET		
N/S	A4	00	1/1		

1 2 3 4 5 6

A4(297X210)