

1 2 3 4 5 6

A

A

B

B

C

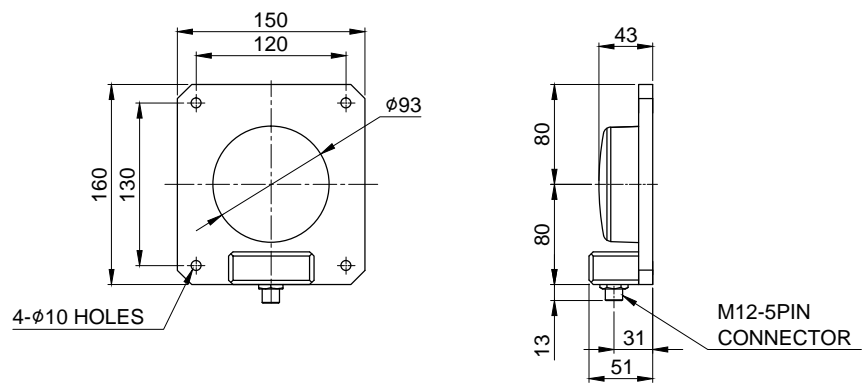
C

D

D

MARK	DATE	REVISION	REVISER	APP .BY
①				
②				
③				

MODEL NO		SSL100M			
MATERIAL		HOUSING-AL LENS-PC			
COLOR OF LENS		RED(), AMBER(), GREEN(), BLUE()			
USE VOLT.	LED	CURRENT	DC12V	0.08W	MAX. 0.280A
			DC24V		MAX. 0.151A
			AC110V		MAX. 0.040A
			AC220V		MAX. 0.040A
PROTECTION GRADE		WATER & DUST PROOF IP68			
CONNECTOR		M12-5PIN			
COLOR OF HOUSING		MAKER STANDARD			
ACTION		LED STEADY			



ISO2768-1 : CLASS OF TOLERANCE					SURFACE FINISH	-		1		-	
FOR LINEAR DIMENSIONS		f	m	(C)		v	Nr.	DWG. NO.	TITLE/ NAME	MAT'L	QTY
	0.5-3	±0.05	±0.1	±0.2	-	DSND BY	CHKD BY	CHKD BY	APRV BY	VIEW	DATE
	3-6			±0.3	±0.5	S.H.KIM	J.H.PARK		J.K.HAN	3	2016.08.30
	6-30	±0.1	±0.2	±0.5	±1	TITLE SSL100M OUTLINE DRAWING					
	30-120	±0.15	±0.3	±0.8	±1.5	MODEL SSL100M					
	120-400	±0.2	±0.5	±1.2	±2.5	DWG. NO. SSL100M_OUT					
400-1000	±0.3	±0.8	±2	±4	SCALE N/S		SIZE A4	REV 00	SHEET 1/1		
FOR ANGULAR DIMENSIONS						A4(297X210)					
	0-10		±1°	±1°30'	±3°						
	10-50		±0°30'	±1°	±2°						
	50-120		±0°20'	±0°30'	±1°						
120-400		±0°10'	±0°13'	±0°30'							

1 2 3 4 5 6

A4(297X210)