

1 2 3 4 5 6

A

A

B

B

C

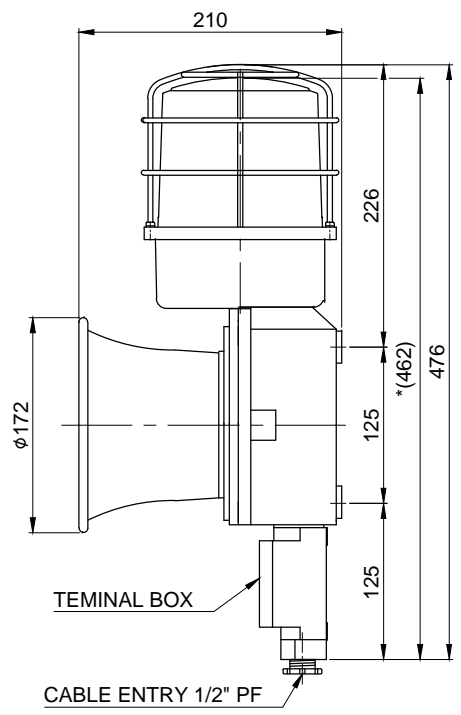
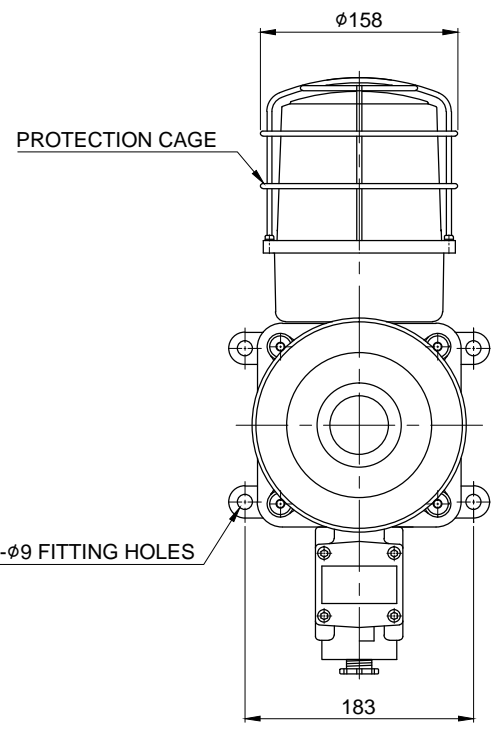
C

D

D

MARK	DATE	REVISION	REVISER	APP .BY
①				
②				
③				

MODEL NO		SMD			
MATERIAL		HOUSING-AL			
		LENS-PC			
		REFLECTOR-HEAT RESISTING ABS			
		PROTECTION CAGE-SUS316L			
COLOR OF LENS		RED( ), AMBER( ), GREEN( ), BLUE( )			
REV. PER MIN.		120 ~ 140			
USE VOLT.	BULB	CURRENT	DC12V	15W	MAX. 3.644A
			DC24V		MAX. 1.822A
			AC110V		MAX. 0.448A
			AC220V		MAX. 0.224A
PROTECTION GRADE		WATER & DUST PROOF IP66			
CABLE ENTRY		1/2" PF			
COLOR OF HOUSING		MUNSELL NO. 7.5BG 7/2			
ACTION		BULB REVOLVING WARNING LIGHT			



※ \*(462) represents size without protection cage.

FOR LINEAR DIMENSIONS	ISO2768-1 : CLASS OF TOLERANCE					SURFACE FINISH
	f	m	Ⓢ	v		
0.5-3	±0.05	±0.1	±0.2	-		
3-6			±0.3	±0.5		
6-30	±0.1	±0.2	±0.5	±1		
30-120	±0.15	±0.3	±0.8	±1.5		
120-400	±0.2	±0.5	±1.2	±2.5		
400-1000	±0.3	±0.8	±2	±4		
FOR ANGULAR DIMENSIONS	0-10	±1°	±1°30'	±3°		
	10-50	±0°30'	±1°	±2°		
	50-120	±0°20'	±0°30'	±1°		
	120-400	±0°10'	±0°13'	±0°30'		

Nr.	DWG. NO.	TITLE/ NAME		MAT'L	QTY	REFERENCE
DSND BY	CHKD BY	CHKD BY	APRV BY	VIEW	DATE	
S.H.KIM	J.H.PARK		J.K.HAN	3	2016.08.30	
TITLE			MODEL			
SMD OUTLINE DRAWING			SMD			
			DWG. NO.		SMD_OUT	
SCALE	SIZE	REV	SHEET			
N/S	A4	00	1/1			

1 2 3 4 5 6

A4(297X210)