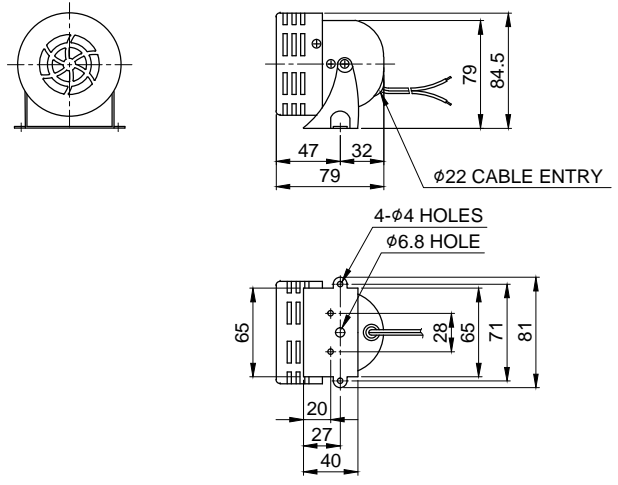
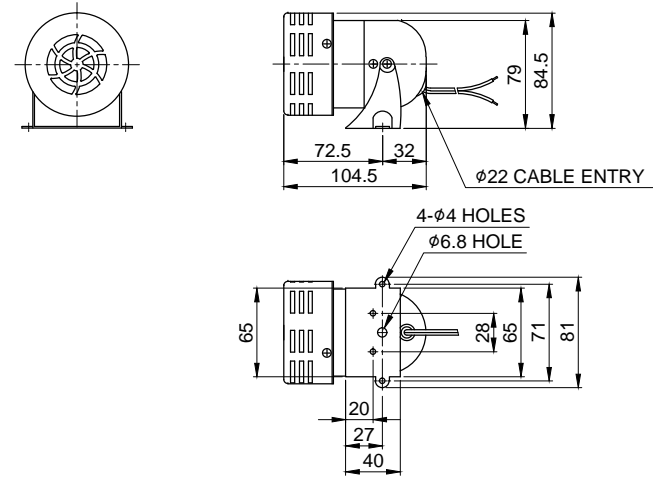


MARK	DATE	REVISION	REVISER	APP. BY
△				
△				

MODEL NO		SM30		
MATERIAL		HOUSING-STEEL		
USE VOLT.	CURRENT	DC12V	MAX. 3.222A	
		DC24V	MAX. 1.779A	
		AC110V	MAX. 1.333A	
		AC220V	MAX. 1.000A	
VOLUME		MAX. 110dB		
PROTECTION GRADE		WATER & DUST PROOF IP44		
CABLE ENTRY		φ22 LEAD HOLE		
COLOR OF HOUSING		RED		
RATING		10 MIN.		



SM30-DC12V/ 24V



SM30-AC110V/ 220V

	ISO2768-1 : CLASS OF TOLERANCE					SURFACE FINISH
	f	m	Ⓢ	v		
FOR LINEAR DIMENSIONS	0.5-3	±0.05	±0.1	±0.2	-	
	3-6			±0.3	±0.5	
	6-30	±0.1	±0.2	±0.5	±1	
	30-120	±0.15	±0.3	±0.8	±1.5	
	120-400	±0.2	±0.5	±1.2	±2.5	
	400-1000	±0.3	±0.8	±2	±4	
FOR ANGULAR DIMENSIONS	0-10	±1°		±1°30'	±3°	
	10-50	±0°30'		±1°	±2°	
	50-120	±0°20'		±0°30'	±1°	
	120-400	±0°10'		±0°13'	±0°30'	

Nr.	DWG. NO.	TITLE/ NAME		MAT'L	QTY	REFERENCE
DSND BY	CHKD BY	CHKD BY	APRV BY	VIEW	DATE	
S.H.KIM	J.H.PARK		J.K.HAN	3	2016.08.30	
TITLE			MODEL			
SM30 OUTLINE DRAWING			SM30			
			DWG. NO.			
			SM30_OUT			
SCALE	SIZE	REV	SHEET			
N/S	A4	00	1/1			