

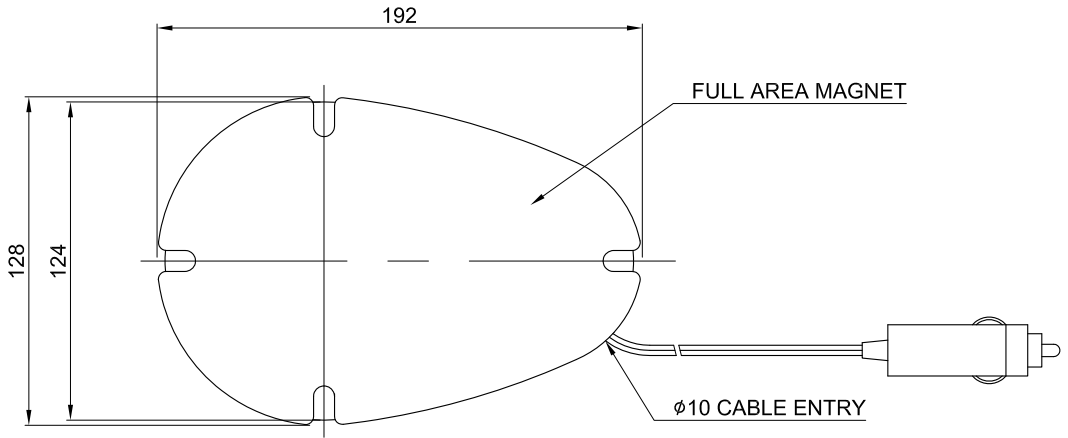
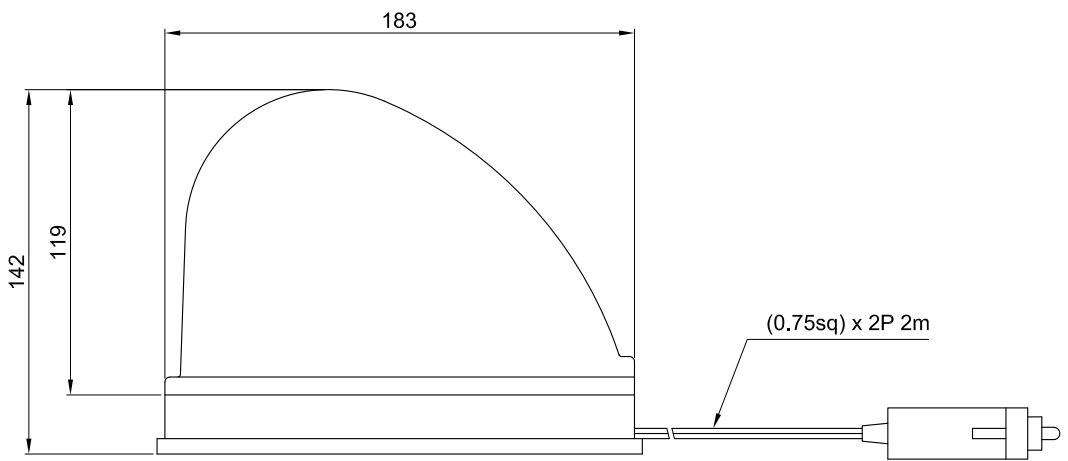
1 2 3 4 5 6

A

B

C

D



MARK	DATE	REVISION	REVISER	APP.BY
△				
△				
△				

MODEL NO		SKMPLR			
MATERIAL		HOUSING-PC			
		LENS-PC			
		REFLECTOR-PC/SUS			
COLOR OF LENS		RED(), AMBER(), GREEN(), BLUE()			
REV. PER MIN.		120 ~ 140			
USE VOLT.	POWER LED	CURRENT	DC12V	1W	MAX. 0.422A
			DC24V		MAX. 0.266A
PROTECTION GRADE		WATER & DUST PROOF IP54			
CABLE ENTRY		ø10 LEAD HOLE			
COLOR OF HOUSING		MAKER STANDARD			
ACTION		POWER LED REVOLVING WARNING LIGHT			

FOR LINEAR DIMENSIONS	ISO2768-1 : CLASS OF TOLERANCE				
	f	m	Ⓞ	v	-
0.5-3			±0.2		
3-6	±0.05	±0.1	±0.3	±0.5	
6-30	±0.1	±0.2	±0.5	±1	
30-120	±0.15	±0.3	±0.8	±1.5	
120-400	±0.2	±0.5	±1.2	±2.5	
400-1000	±0.3	±0.8	±2	±4	
FOR ANGULAR DIMENSIONS	0-10	±1°		±1°30'	±3°
	10-50	±0°30'		±1°	±2°
	50-120	±0°20'		±0°30'	±1°
	120-400	±0°10'		±0°13'	±0°30'

-		-		-		-		1		-	
Nr.	DWG. NO.	TITLE/ NAME			MAT'L	QTY	REFERENCE				
DSND BY	CHKD BY	CHKD BY		APRV BY	VIEW	DATE					
S.H.KIM	J.H.PARK			J.K.HAN	3	2016.08.30					
TITLE				SKMPLR		MODEL		SKMPLR			
				OUTLINE DRAWING		DWG. NO.		SKMPLR_OUT			
SCALE		SIZE		REV		SHEET					
N/S		A4		00		1/1					

1 2 3 4 5 6 A4(297X210)