

1 2 3 4 5 6

A

A

B

B

C

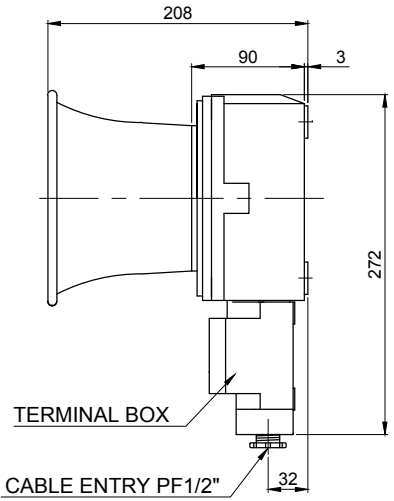
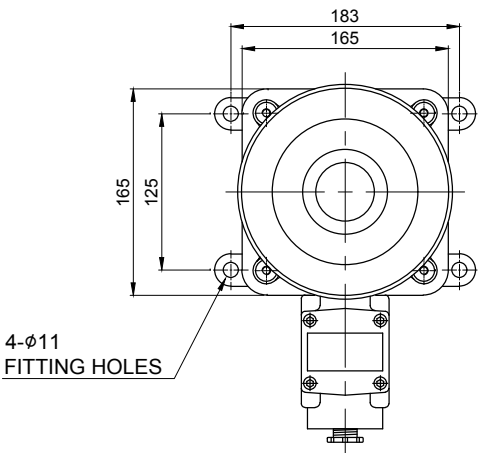
C

D

D

MARK	DATE	REVISION	REVISER	APP. BY
①				
②				
③				

MODEL NO		SEWN50T	
MATERIAL		HOUSING-AL HORN HOUSING-PC/ SUS316L	
USE VOLT.	CURRENT	DC12V	MAX. 2.440A
		DC24V	MAX. 1.186A
		AC110V	MAX. 0.244A
		AC220V	MAX. 0.122A
KIND OF SOUND		WS	5 Warning Sounds
		WP	5 Special Warning Sounds
		WM	5 Melodies
		WA	5 Alarms
		WV	5 Customizable sounds
VOLUME		MAX. 120dB	
PROTECTION GRADE		WATER & DUST PROOF IP56	
CABLE ENTRY		PF1/2"	
COLOR OF HOUSING		MUNSELL NO. 7.5BG 7/2	



	ISO2768-1 : CLASS OF TOLERANCE					SURFACE FINISH
	f	m	Ⓢ	v		
FOR LINEAR DIMENSIONS	0.5~3	±0.05	±0.1	±0.2	-	
	3~6			±0.3	±0.5	
	6~30	±0.1	±0.2	±0.5	±1	
	30~120	±0.15	±0.3	±0.8	±1.5	
	120~400	±0.2	±0.5	±1.2	±2.5	
400~1000	±0.3	±0.8	±2	±4		
FOR ANGULAR DIMENSIONS	0~10	±1°	±1°30'	±3°		
	10~50	±0°30'	±1°	±2°		
	50~120	±0°20'	±0°30'	±1°		
	120~400	±0°10'	±0°13'	±0°30'		

Nr.	DWG. NO.	TITLE/ NAME	MAT'L	QTY	REFERENCE
DSND BY	CHKD BY	CHKD BY	APRV BY	VIEW	DATE
S.H.KIM	J.H.PARK		J.K.HAN	3	2016.08.30
TITLE			MODEL		
SEWN50T OUTLINE DRAWING			SEWN50T		
			DWG. NO.		
			SEWN50T_OUT		
SCALE	SIZE	REV	SHEET		
N/S	A4	00	1/1		

1 2 3 4 5 6

A4(297X210)