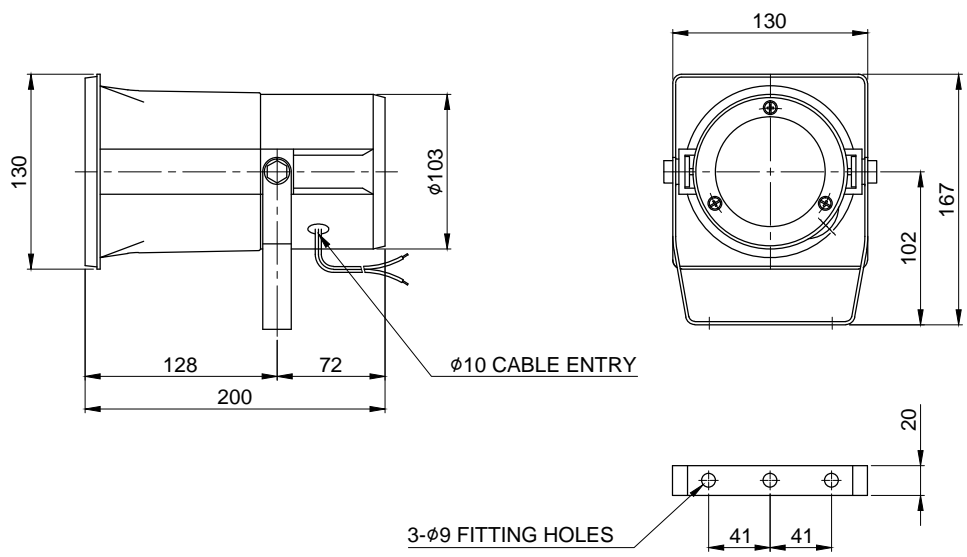


1 2 3 4 5 6

A  
B  
C  
D



MARK	DATE	REVISION	REVISER	APP.BY
①				
②				
③				

MODEL NO		SEN15/ 25		
MATERIAL		HOUSING-ABS		
		MODEL	SEN15	SEN25
USE VOLT.	CURRENT	DC12V	MAX. 0.366A	MAX. 2.211A
		DC24V	MAX. 0.266A	MAX. 1.022A
		AC110V	MAX. 0.077A	MAX. 0.226A
		AC220V	MAX. 0.038A	MAX. 0.113A
VOLUME		MAX. 108dB		
PROTECTION GRADE		WATER & DUST PROOF IP55		
CABLE ENTRY		$\phi 10$ LEAD HOLE		
COLOR		RED		

ISO2768-1 : CLASS OF TOLERANCE					SURFACE FINISH	-		1		-	
FOR LINEAR DIMENSIONS		f	m	(C)		v	Nr.	DWG. NO.	TITLE/ NAME	MAT'L	QTY
	0.5-3	$\pm 0.05$	$\pm 0.1$	$\pm 0.2$	-	DSND BY	CHKD BY	TITLE/ NAME	APRV BY	VIEW	DATE
	3-6	$\pm 0.05$	$\pm 0.1$	$\pm 0.3$	$\pm 0.5$	S.H.KIM	J.H.PARK	SEN15/ 25	J.K.HAN	3	2016.08.30
	6-30	$\pm 0.1$	$\pm 0.2$	$\pm 0.5$	$\pm 1$			OUTLINE DRAWING	MODEL		
	30-120	$\pm 0.15$	$\pm 0.3$	$\pm 0.8$	$\pm 1.5$				SEN15/ 25		
	120-400	$\pm 0.2$	$\pm 0.5$	$\pm 1.2$	$\pm 2.5$				DWG. NO.		
400-1000	$\pm 0.3$	$\pm 0.8$	$\pm 2$	$\pm 4$				SEN15/ 25_OUT			
FOR ANGULAR DIMENSIONS				(C)	v	TITLE		SCALE			
	0-10	$\pm 1^\circ$		$\pm 1^\circ 30'$	$\pm 3^\circ$	SEN15/ 25		N/S	A4	REV	SHEET
	10-50	$\pm 0^\circ 30'$		$\pm 1^\circ$	$\pm 2^\circ$	OUTLINE DRAWING				00	1/1
	50-120	$\pm 0^\circ 20'$		$\pm 0^\circ 30'$	$\pm 1^\circ$						
120-400	$\pm 0^\circ 10'$		$\pm 0^\circ 13'$	$\pm 0^\circ 30'$							

1 2 3 4 5 6

A4(297X210)