

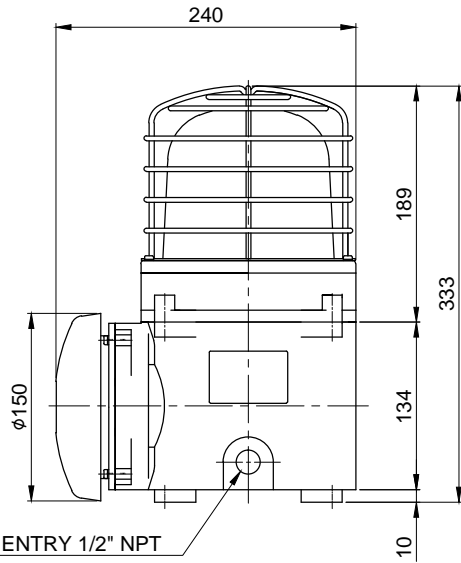
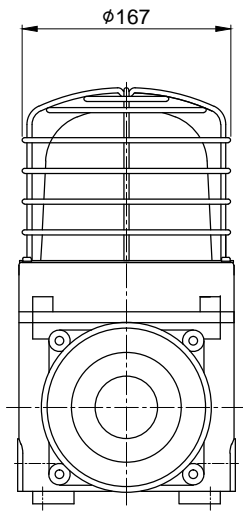
1 2 3 4 5 6

A

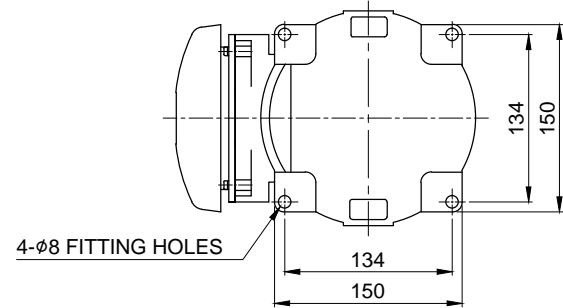
B

C

D



CABLE ENTRY 1/2" NPT



4-ø8 FITTING HOLES

MARK	DATE	REVISION	REVISER	APP .BY
①				
②				
③				

MODEL NO		SEBALR		
MATERIAL		HOUSING-AL LENS-TEMPERED GLASS REFLECTOR-PC		
COLOR OF LENS		RED(), AMBER(), GREEN(), BLUE()		
REV. PER MIN.		120 ~ 140		
USE VOLT.	LED	CURRENT	1W	MAX. 0.230A MAX. 0.172A MAX. 0.122A MAX. 0.061A
PROTECTION GRADE		WATER & DUST PROOF IP55		
CABLE ENTRY		1/2" NPT		
COLOR OF HOUSING		MUNSELL NO.7.5BG 7/2		
ACTION		LED REVOLVING WARNING LIGHT		

FOR LINEAR DIMENSIONS	ISO2768-1 : CLASS OF TOLERANCE					SURFACE FINISH
	f	m	Ⓢ	v		
0.5-3	±0.05	±0.1	±0.2	-		
3-6			±0.3	±0.5		
6-30	±0.1	±0.2	±0.5	±1		
30-120	±0.15	±0.3	±0.8	±1.5		
120-400	±0.2	±0.5	±1.2	±2.5		
400-1000	±0.3	±0.8	±2	±4		
FOR ANGULAR DIMENSIONS	0-10	±1°	±1°30'	±3°		
	10-50	±0°30'	±1°	±2°		
	50-120	±0°20'	±0°30'	±1°		
	120-400	±0°10'	±0°13'	±0°30'		

Nr.	DWG. NO.	TITLE/ NAME	MAT'L	QTY	REFERENCE
DSND BY	CHKD BY	CHKD BY	APRV BY	VIEW	DATE
S.H.KIM	J.H.PARK		J.K.HAN	3	2016.08.30
TITLE			MODEL		
SEBALR OUTLINE DRAWING			SEBALR		
			DWG. NO.		
			SEBALR_OUT		
SCALE	SIZE	REV	SHEET		
N/S	A4	00	1/1		

1 2 3 4 5 6

A4(297X210)