

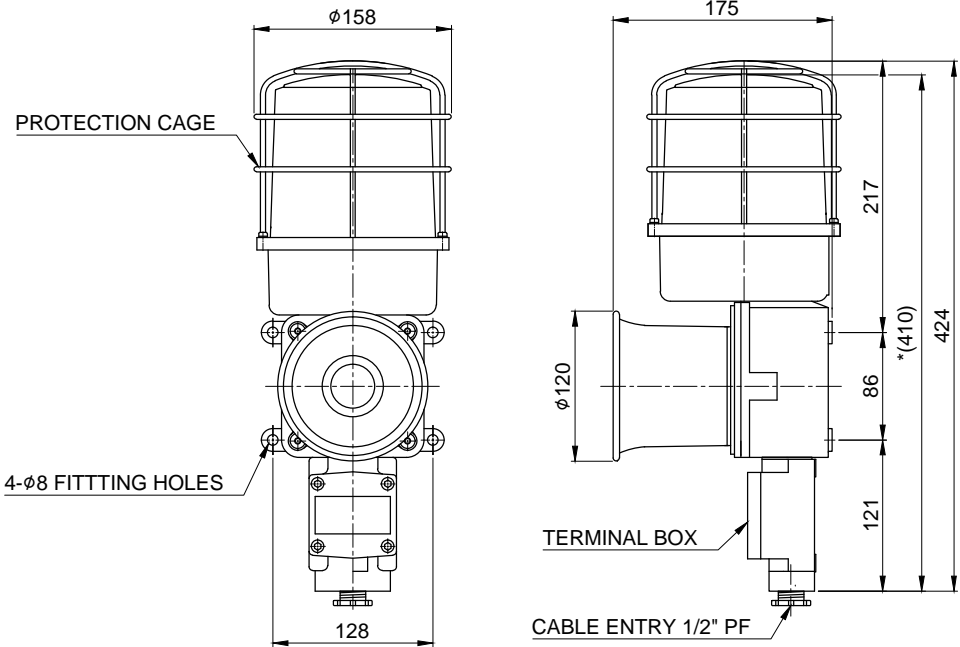
1 2 3 4 5 6

A

B

C

D



※ \*(410) represents size without protection cage.

MARK	DATE	REVISION	REVISER	APP. BY
①				
②				
③				

MODEL NO		SDLR		
MATERIAL		HOUSING-AL		
		LENS-PC		
		REFLECTOR-HEAT RESISTING ABS		
		PROTECTION CAGE-SUS316L		
COLOR OF LENS		RED( ), AMBER( ), GREEN( ), BLUE( )		
REV. PER MIN.		120 ~ 140		
USE VOLT.	LED	CURRENT	1W	MAX. 2.633A
				MAX. 1.288A
				MAX. 0.308A
				MAX. 0.154A
PROTECTION GRADE		WATER & DUST PROOF IP66		
CABLE ENTRY		1/2" PF		
COLOR OF HOUSING		MUNSELL NO. 7.5BG 7/2		
ACTION		LED REVOLVING WARNING LIGHT		

ISO2768-1 : CLASS OF TOLERANCE					SURFACE FINISH	-		1		-	
FOR LINEAR DIMENSIONS		f	m	(C)		v	Nr.	DWG. NO.	TITLE/ NAME	MAT'L	QTY
	0.5-3	±0.05	±0.1	±0.2	-	DSND BY	CHKD BY	TITLE/ NAME	APRV BY	VIEW	DATE
	3-6			±0.3	±0.5	S.H.KIM	J.H.PARK	SDLR	J.K.HAN	3	2016.08.30
	6-30	±0.1	±0.2	±0.5	±1			OUTLINE DRAWING	MODEL		
	30-120	±0.15	±0.3	±0.8	±1.5				SDLR		
	120-400	±0.2	±0.5	±1.2	±2.5				DWG. NO.		
400-1000	±0.3	±0.8	±2	±4				SDLR_OUT			
FOR ANGULAR DIMENSIONS	0-10	±1°	±1°30'	±3°			SCALE	SIZE	REV	SHEET	
	10-50	±0°30'	±1°	±2°			N/S	A4	00	1/1	
	50-120	±0°20'	±0°30'	±1°							
	120-400	±0°10'	±0°13'	±0°30'							

1 2 3 4 5 6 A4(297X210)