

1 2 3 4 5 6

A

A

B

B

C

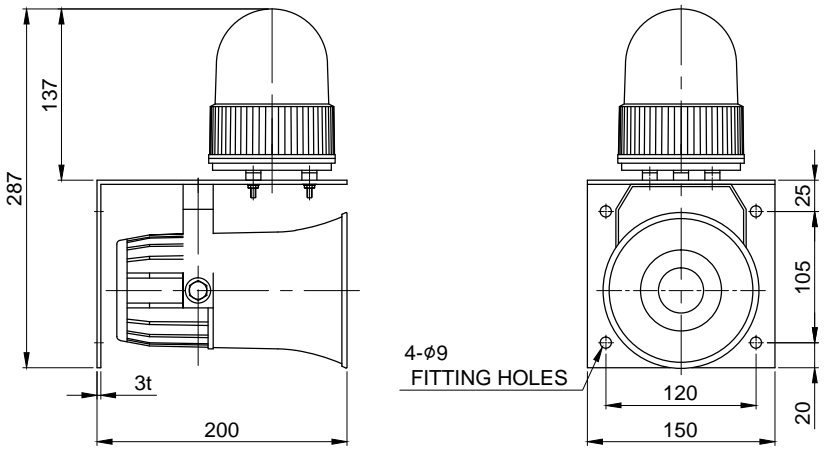
C

D

D

MARK	DATE	REVISION	REVISER	APP .BY
①				
②				
③				

MODEL NO		SC1			
MATERIAL		HOUSING-ABS			
		LENS-AS			
		REFLECTOR-HEAT RESISTING ABS			
		BRACKET-STEEL			
		HORN HOUSING-ABS			
COLOR OF LENS		RED( ), AMBER( ), GREEN( ), BLUE( )			
REV. PER MIN		120 ~ 140			
USE VOLT.	BULB	CURRENT	DC12V	10W	MAX. 1.288A
			DC24V		MAX. 0.799A
			AC110V		MAX. 0.203A
			AC220V		MAX. 0.101A
VOLUME		MAX. 108 dB			
PROTECTION GRADE		WATER & DUST PROOF IP44			
CABLE ENTRY		φ10 LEAD HOLE			
COLOR OF HOUSING		MAKER STANDARD			
ACTION		BULB REVOLVING WARNING LIGHT			



ISO2768-1 : CLASS OF TOLERANCE					SURFACE FINISH	-		1		-	
FOR LINEAR DIMENSIONS	f	m	Ⓢ	v		Nr.	DWG. NO.	TITLE/ NAME	MAT'L	QTY	REFERENCE
	0.5-3	±0.05	±0.1	±0.2	-	DSND BY	CHKD BY	APRV BY	VIEW	DATE	
	3-6			±0.3	±0.5	S.H.KIM	J.H.PARK	J.K.HAN	3	2016.08.30	
	6-30	±0.1	±0.2	±0.5	±1	TITLE		MODEL			
	30-120	±0.15	±0.3	±0.8	±1.5	SC1		SC1			
	120-400	±0.2	±0.5	±1.2	±2.5	OUTLINE DRAWING		SC1_OUT			
400-1000	±0.3	±0.8	±2	±4			DWG. NO.				
FOR ANGULAR DIMENSIONS	0-10	±1°	±1°30'	±3°	SCALE		SIZE		REV		
	10-50	±0°30'	±1°	±2°	N/S		A4		00		
	50-120	±0°20'	±0°30'	±1°					SHEET		
	120-400	±0°10'	±0°13'	±0°30'					1/1		

1 2 3 4 5 6 A4(297X210)