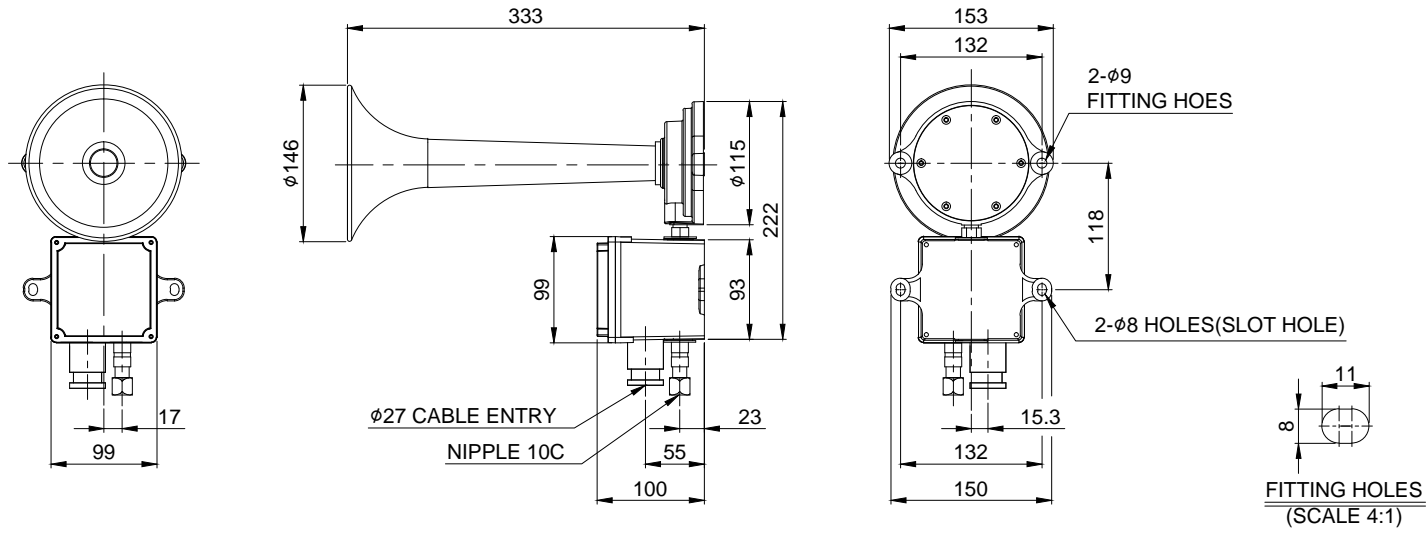


MARK	DATE	REVISION	REVISER	APP.BY
①				
②				
③				

MODEL NO	SANA200		
MATERIAL	HON HOUSING-PC SOLENOID VALVE BOX-ABS		
USE VOLT.	CURRENT	DC24V	MAX. 0.448A
		AC110V	MAX. 0.111A
		AC220V	MAX. 0.055A
VOLUME	MAX. 130dB at 1m		
PROTECTION GRADE	WATER & DUST PROOF IP56		
CABLE ENTRY	φ27 CABLE		
COLOR OF HOUSING	RED, BLACK, MUNSELL NO.75BG 7/2		
AIR PRESSURE	5~7kg/cm ²		



FOR LINEAR DIMENSIONS	ISO2768-1 : CLASS OF TOLERANCE				
	f	m	(C)	v	
0.5~3	±0.05	±0.1	±0.2	-	
3~6			±0.3	±0.5	
6~30	±0.1	±0.2	±0.5	±1	
30~120	±0.15	±0.3	±0.8	±1.5	
120~400	±0.2	±0.5	±1.2	±2.5	
400~1000	±0.3	±0.8	±2	±4	
FOR ANGULAR DIMENSIONS	0~10	±1°	±1°30'	±3°	
	10~50	±0°30'	±1°	±2°	
	50~120	±0°20'	±0°30'	±1°	
	120~400	±0°10'	±0°13'	±0°30'	

SURFACE FINISH		-		1		
Nr.	DWG. NO.	TITLE/ NAME		MAT'L	QTY	REFERENCE
DSND BY	CHKD BY	CHKD BY	APRV BY	VIEW	DATE	
S.H.KIM	J.H.PARK		J.K.HAN	3	2016.08.30	
TITLE			MODEL			
SANA200 OUTLINE DRAWING			SANA200			
			DWG. NO.			
			SANA200_OUT			
SCALE	SIZE	REV	SHEET			
N/S	A4	00	1/1			