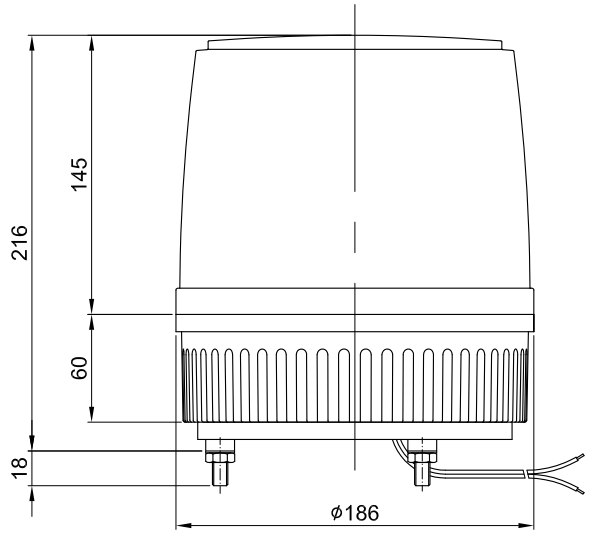


1 2 3 4 5 6

A

A

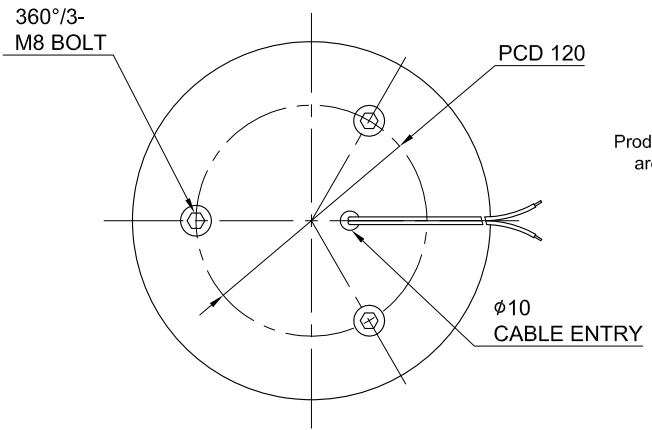
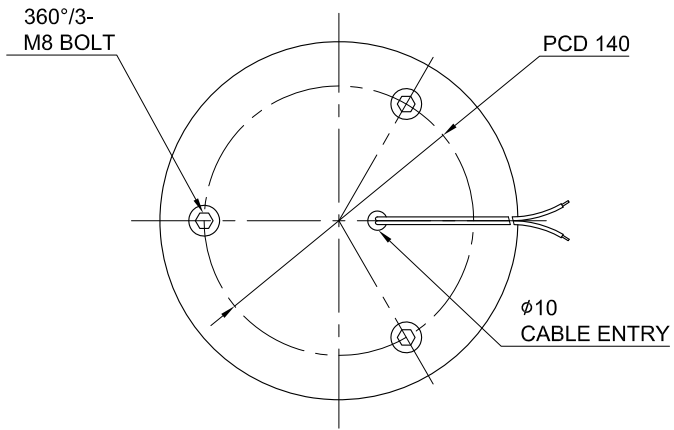


| MARK | DATE | REVISION | REVISER | APP.BY |
|------|------|----------|---------|--------|
| △ | | | | |
| △ | | | | |
| △ | | | | |

| | | | | | |
|------------------|------|-------------------------------------|--------|-----|-------------|
| MODEL NO | | S180U | | | |
| MATERIAL | | HOUSING-ABS | | | |
| | | LENS-AS | | | |
| | | REFLECTOR-PC | | | |
| COLOR OF LENS | | RED(), AMBER(), GREEN(), BLUE() | | | |
| REV. PER MIN. | | 120 ~ 140 | | | |
| USE VOLT. | BLUB | CURRENT | DC12V | 35W | MAX. 3.077A |
| | | | DC24V | | MAX. 1.544A |
| | | | AC110V | | MAX. 0.388A |
| | | | AC220V | | MAX. 0.194A |
| VOLUME | | MAX. 90dB at 1m | | | |
| PROTECTION GRADE | | WATER & DUST PROOF IP44 | | | |
| CABLE ENTRY | | φ10 LEAD HOLE | | | |
| COLOR OF HOUSING | | MAKER STANDARD | | | |
| ACTION | | BULB REVOLVING WARNING LIGHT | | | |

B

B



Products that Mount size 120mm are available upon request

C

C

| ISO2768-1 : CLASS OF TOLERANCE | | | | | | SURFACE FINISH | - | | | 1 | - |
|--------------------------------|---------|--------|--------|------|------|-----------------|----------|-----------|-------------|----------|------------|
| FOR LINEAR DIMENSIONS | f | m | ⊙ | v | - | | Nr. | DWG. NO. | TITLE/ NAME | MAT'L | QTY |
| | 0.5-3 | | | ±0.2 | - | DSND BY | CHKD BY | CHKD BY | APRV BY | VIEW | DATE |
| | 3-6 | ±0.05 | ±0.1 | ±0.3 | ±0.5 | S.H.KIM | J.H.PARK | | J.K.HAN | 3 | 2016.08.30 |
| | 6-30 | ±0.1 | ±0.2 | ±0.5 | ±1 | TITLE | | S180U | | MODEL | |
| | 30-120 | ±0.15 | ±0.3 | ±0.8 | ±1.5 | OUTLINE DRAWING | | S180U | | DWG. NO. | |
| | 120-400 | ±0.2 | ±0.5 | ±1.2 | ±2.5 | | | S180U_OUT | | SCALE | |
| 400-1000 | ±0.3 | ±0.8 | ±2 | ±4 | | | | | SIZE | SHEET | |
| FOR ANGULAR DIMENSIONS | ±1° | | ±1°30' | ±3° | | | | | REV | 00 | |
| | 0-10 | | | | | | | | | 1/1 | |
| | 10-50 | ±0°30' | ±1° | ±2° | | | | | | | |
| | 50-120 | ±0°20' | ±0°30' | ±1° | | | | | | | |
| 120-400 | ±0°10' | ±0°13' | ±0°30' | | | | | | | | |

D

D

1 2 3 4 5 6

A4(297X210)