

S180U

OPERATING MANUAL

Bulb Revolving Warning Light

Thank you for purchasing Q.Light product. Please read this manual carefully before installing this product for safe and long use.

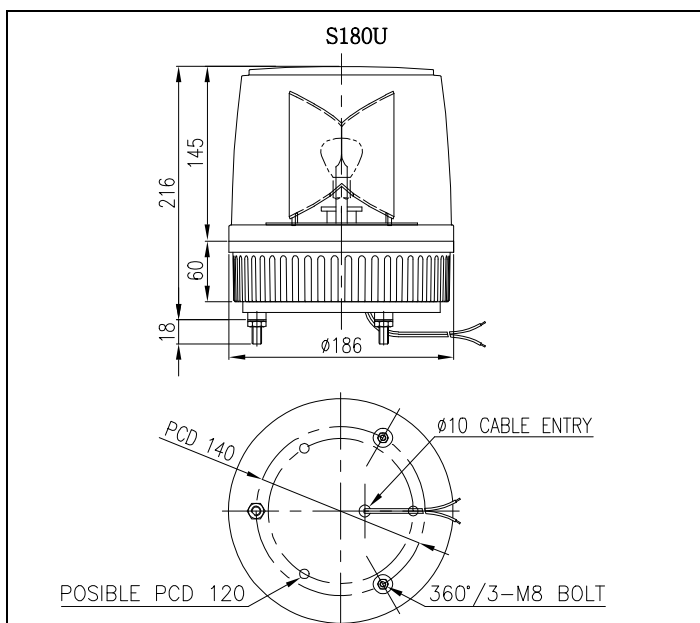
1 Product Feature

- Ensuring high revolving durability by applying a special power transmission system to minimize noise and wear which is gained a patent.
- A bright bulb light makes signal light diffusing effectiveness high with using a both sides large reflector.
- Buzzer volume(option): Max 90dB/m
- RPM : 120~140RPM.(control freely)
- Material : Lens-AS, Body-ABS, Reflector-PC
- Protection Class : IP44

2 Specification

| Model | Voltage | Current | Bulb | | | Weight | Color |
|-------|---------|---------|--------|----------|----|--------|---------|
| S180U | DC12V | 3.077A | 12V35W | RP35 15S | 29 | 0.89Kg | RED-R |
| | DC24V | 1.544A | 24V35W | RP35 15S | 30 | | AMBER-A |
| | AC110V | 0.388A | 12V35W | RP35 15S | 29 | 1.65Kg | GREEN-G |
| | AC220V | 0.194A | 12V35W | RP35 15S | 29 | | BLUE-B |

3 External View Drawing

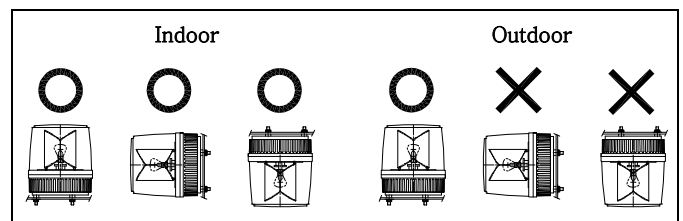


4 Wiring Instruction

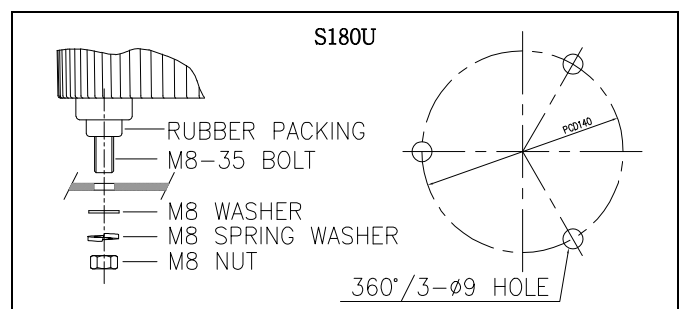
Power line UL1015-NO.18(0.75sq) x 2C 400mm comes out from the product.

- In case of product using AC voltage, connect the line without Polarity(wire color).
- In case of product using DC voltage, black line is negative(-).

5 Mounting

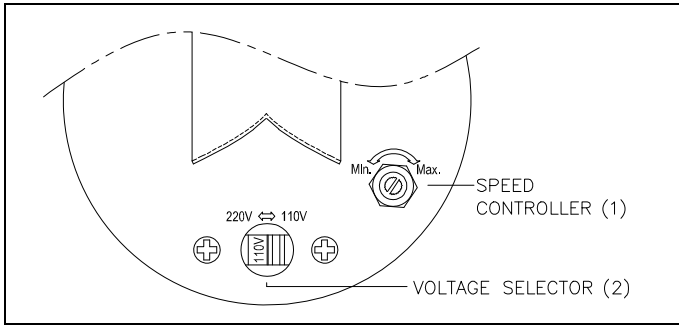


- This product was manufactured with the structure for indoor use. Installing in any direction is okay for indoor use.
- Outdoor use is limited at a place where no water or very little water percolates. Mounting also should be done only on the vertical standing direction.
- Mount at the place where exists low vibration, low impact, low moisture and low dust as long as possible.
- Please make a hole by a drill where you need to attach our product and refer to below picture for a hole size.
- Fix the product by using nuts(M8-3EA) originally equipped on mounting bolt on bottom of the product.



6 Voltage Selection(AC type), Revolving Speed Control, Bulb Change

This product has (2) VOLTAGE SELECTOR to change voltage selection and (1) SPEED CONTROLLER to control revolving speed on an assembling board. Please kindly see below drawings and explanation carefully.



1) Lens Removal

Remove lens by turning it counterclockwise, and make sure related parts on the assembling board.

2) Revolving Speed Control

- This product built-in a volume for revolving speed control. Turn it clockwise for increasing revolving speed and turn it counterclockwise for decreasing revolving speed.
- Apply too many forces, the volume may be destroyed. Please be careful.

3) AC Voltage Selection

✳ Warning!

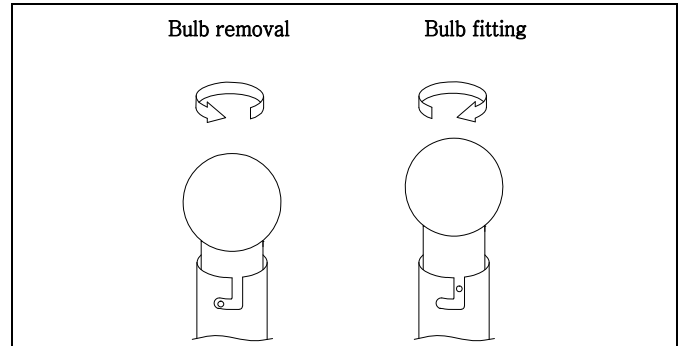
- Must turn off power supply. Converting switch when supplying power can cause short circuit.
- Can choose one of AC110V and AC220V by using voltage selection switch(2). 220V is already selected for a standard product. So please convert the switch to 110V if needed.

4) Bulb Change

✳ Warning!

Must turn off power supply and change bulb after 1 minute at least.

- Make sure the rated voltage and wattage of new bulb. If the voltage of new bulb is higher than original bulb, the life of product can be reduced and can cause damage on lens and reflector. Therefore, please use the bulb which has the same or lower rated voltage and wattage.
- Bulb Removal: Press slightly the bulb downward and turn it counterclockwise for removing.
- Bulb Fitting: Fit new bulb into the socket by pressing it clockwise.



7 Caution

- If using voltage is seriously higher or lower than rated voltage, it can reduce the self-life of the product or can cause a problem on product operating. Make sure the using voltage does not exceed +/-5% of the rated voltage.
- If lens or body of the product is contaminated by chemicals such as thinner, benzene, the product can be damaged, discolored or deformed. Please be careful.
- Do not give strong impact to the product. It can be a reason of wire disconnection or short circuit.
- Do not strongly pull the wire out from the product. It can cause a disorder.

8 Trouble shooting

| Situation | Main reason | Solution |
|--|---|-----------------------------------|
| Non- Lighting Partly | Wire Disconnection of Bulb | Wire Re-connection or Bulb Change |
| Feeble Lighting Low Revolving Speed | Supplying Voltage Lower than Rated Voltage | Making Sure Using Voltage |
| | When using 110V, but choose the wrong Voltage selection 220V switch (AC type) | Checking voltage to AC110V |
| | Adjust wrong for the Revolving Speed | Make Revolving Speed higher |
| Short Self-Life of Bulb | Supplying Voltage Higher than Rated Voltage | Making Sure Using Voltage |
| Bulb overheating makes lens shape change | Using the bulb over rated capacity change | Change the rated capacity bulb |
| Defect of transformer(AC Voltage Type) | | |
| Non Revolving | Problem with Motor | Contact Qlight or Agent |
| Neither Lighting Nor Revolving | No Power Supply | Making Sure Power Supply |
| | Wrong Wiring | Making Sure Wiring |