

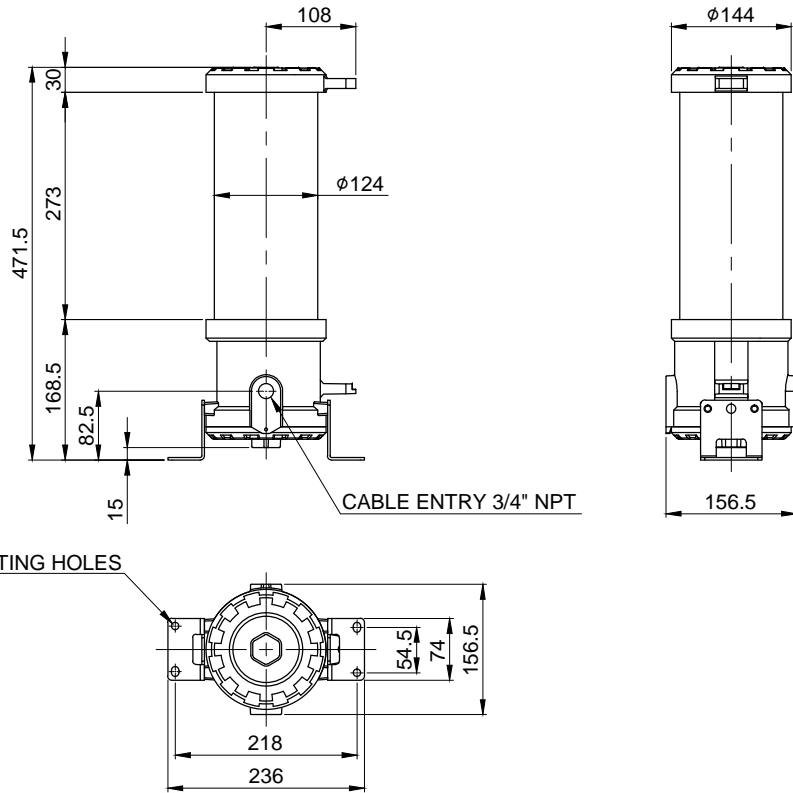
1 2 3 4 5 6

A

B

C

D



MARK	DATE	REVISION	REVISER	APP .BY
①				
②				
③				

MODEL NO		QTEX - DIRECT MOUNT TYPE			
MATERIAL		LENS-TEMPERED GLASS			
		FILTER LENS-AS			
		HOUSING-AL			
		REFLECTOR-HEAT RESISTANT ABS			
COLOR OF LENS		RED(), AMBER(), GREEN(), BLUE()			
USE VOLT.	LED	CURRNET	DC12V	5W	MAX. 0.080A
			DC24V		MAX. 0.040A
			AC110V		MAX. 0.046A
			AC220V		MAX. 0.023A
PROTECTION GRADE		WATER & DUST PROOF IP66			
CABLE ENTRY		CABLE ENTRY NPT 3/4"			
COLOR OF HOUSING		MAKER STANDARD			
ACTION		LED STEADY / FLASHING LIGHT			

ISO2768-1 : CLASS OF TOLERANCE					SURFACE FINISH	-	Nr.	DWG. NO.	TITLE/ NAME	MAT'L	QTY	REFERENCE
FOR LINEAR DIMENSIONS	f	m	Ⓢ	v								
	0.5-3	±0.05	±0.1	±0.2	-							
	3-6			±0.3	±0.5							
	6-30	±0.1	±0.2	±0.5	±1							
	30-120	±0.15	±0.3	±0.8	±1.5							
	120-400	±0.2	±0.5	±1.2	±2.5							
400-1000	±0.3	±0.8	±2	±4								
FOR ANGULAR DIMENSIONS	0-10	±1°	±1°30'	±3°								
	10-50	±0°30'	±1°	±2°								
	50-120	±0°20'	±0°30'	±1°								
	120-400	±0°10'	±0°13'	±0°30'								

DSND BY	CHKD BY	CHKD BY	APRV BY	VIEW	DATE
S.H.KIM	J.H.PARK		J.K.HAN	3	2016.10.05
TITLE			MODEL		
QTEX-DIRECT MOUNT OUTLINE DRAWING			QTEX (DIRECT MOUNT TYPE)		
			DWG. NO.		
			QTEX-DIRECT MOUNT_OUT		
SCALE	SIZE	REV	SHEET		
N/S	A4	00	1/1		

1 2 3 4 5 6 A4(297X210)