

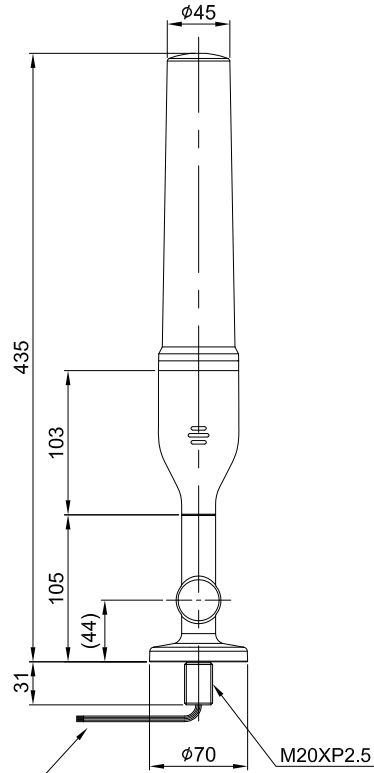
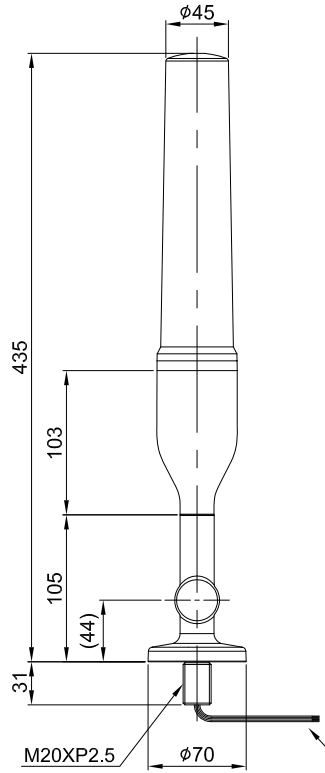
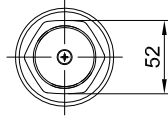
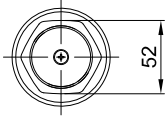
1 2 3 4 5 6

A

B

C

D

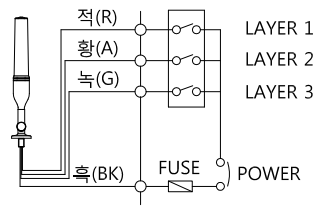


POWER/ SIGNAL CABLE  
UL1007-NO.22(0.3sq) 400mm

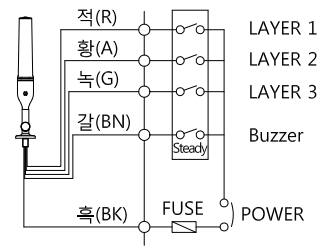
MARK	DATE	REVISION	REVISER	APP .BY
1				
2				
3				

MODEL NO		QTA56L/QTA56L-BZ			
MATERIAL		LENS-PC			
		INNER LENS-PC			
		BODY-ALUMINIUM			
		BRACKET-ALUMINIUM			
COLOR OF LENS		RED(O), AMBER(O), GREEN(O)			
USE VOLT.	LED	CURRENT	DC24V	CHIP LED	MAX. 0.042A / LAYER1
PROTECTION GRADE		WATER & DUST PROOF IP64 (STANDARD TYPE)			
		WATER & DUST PROOF IP54 (BUZZER TYPE)			
SOUND LEVEL		MAX. 85dB at 1m			
CABLE ENTRY		φ10 LEAD HOLE			
COLOR OF HOUSING		MAKER STANDARD			

(EXTERNAL CONTACT)



(EXTERNAL CONTACT)



ELECTRICAL CONNECTION DIAGRAM

Nr.	DWG. NO.	TITLE/ NAME	MAT'L	QTY	REFERENCE
DSND BY	CHKD BY	CHKD BY	APRV BY	VIEW	DATE
S.H.KIM	J.H.PARK		J.K.HAN	3	2016.09.20
TITLE			MODEL		
QTA56L/QTA56L-BZ OUTLINE DRAWING			QTA56L/QTA56L-BZ		
			DWG. NO.		
			QTA56L-(BZ)-3-24-RAG_OUT		
SCALE	SIZE	REV	SHEET		
N/S	A4	00	1/1		

1 2 3 4 5 6 A4(297X210)