

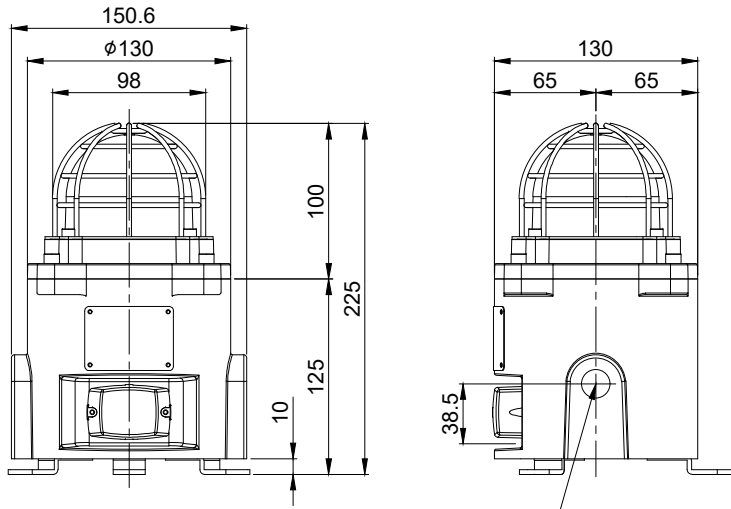
1 2 3 4 5 6

A

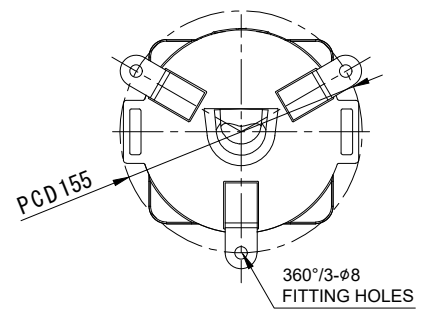
B

C

D



CABLE ENTRY 1/2" NPT



| MARK | DATE | REVISION | REVISER | APP. BY |
|------|------|----------|---------|---------|
| ① | | | | |
| ② | | | | |
| ③ | | | | |

| | | | | | |
|-------------------|-----|--|------|------------|--|
| MODEL NO | | QNES | | | |
| MATERIAL | | HOUSING-BS LENS-TEMPERED GLASS PROTECTION CAGE-SUS316 | | | |
| COLOR OF LENS | | RED(), AMBER(), GREEN(), BLUE() | | | |
| FLASHING PER MIN. | | FLASHING - 60~80 LED STROBE - 70~80 LED ROTATE - 60~80 | | | |
| USE VOLT. | LED | CURRENT | | MAX. 1.63A | |
| | | | 0.2W | MAX. 0.31A | |
| VOLUME | | MAX. 110dB | | | |
| PROTECTION GRADE | | WATER & DUST PROOF IP66 | | | |
| CABLE ENTRY | | 1/2" NPT | | | |
| COLOR OF HOUSING | | RED | | | |
| ACTION | | LED STEADY / FLASHING / STROBE / ROTATE | | | |

| FOR LINEAR DIMENSIONS | ISO2768-1 : CLASS OF TOLERANCE | | | | | SURFACE FINISH |
|------------------------|--------------------------------|--------|--------|--------|--|----------------|
| | f | m | (C) | v | | |
| 0.5~3 | ±0.05 | ±0.1 | ±0.2 | - | | |
| 3~6 | | | ±0.3 | ±0.5 | | |
| 6~30 | ±0.1 | ±0.2 | ±0.5 | ±1 | | |
| 30~120 | ±0.15 | ±0.3 | ±0.8 | ±1.5 | | |
| 120~400 | ±0.2 | ±0.5 | ±1.2 | ±2.5 | | |
| 400~1000 | ±0.3 | ±0.8 | ±2 | ±4 | | |
| FOR ANGULAR DIMENSIONS | 0~10 | ±1° | ±1°30' | ±3° | | |
| | 10~50 | ±0°30' | ±1° | ±2° | | |
| | 50~120 | ±0°20' | ±0°30' | ±1° | | |
| | 120~400 | ±0°10' | ±0°13' | ±0°30' | | |

| Nr. | DWG. NO. | TITLE/ NAME | MAT'L | QTY | REFERENCE |
|----------------------|----------|-------------|----------|------|------------|
| DSND BY | CHKD BY | CHKD BY | APRV BY | VIEW | DATE |
| Y.H.JOO | | | J.K.HAN | 3 | 2017.07.27 |
| TITLE | | | MODEL | | |
| QNES OUTLINE DRAWING | | | QNES | | |
| | | | DWG. NO. | | |
| | | | QNES_OUT | | |
| SCALE | SIZE | REV | SHEET | | |
| N/S | A4 | 00 | 1/1 | | |

1 2 3 4 5 6

A4(297X210)