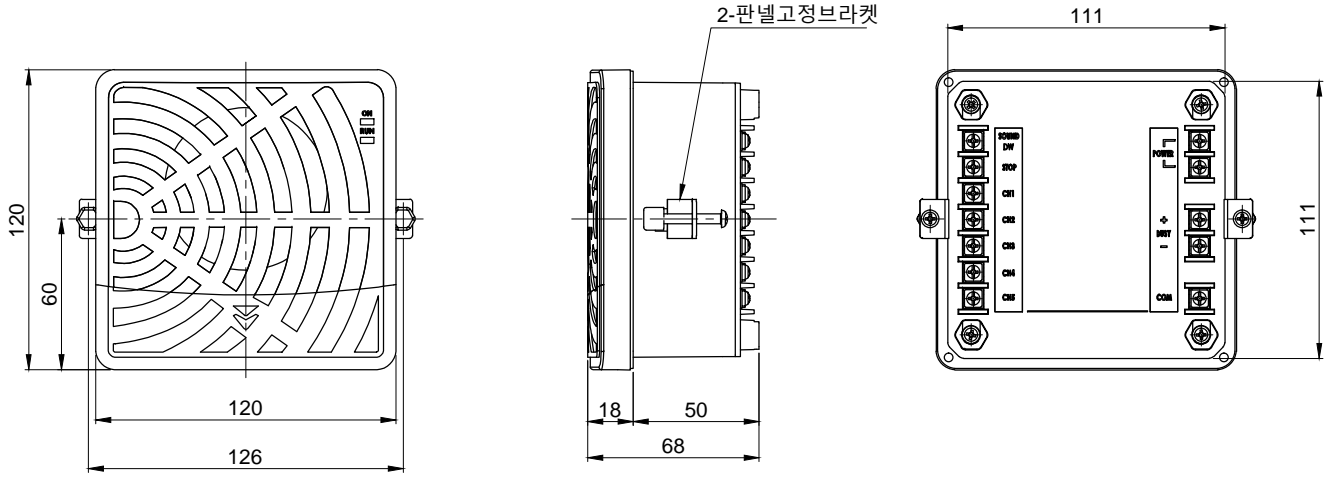


MARK	DATE	REVISION	REVISER	APP .BY
△1				J.K.HAN
△2				
△3				

MODEL NO		QMPS		
MATERIAL		BODY-ABS		
		COVER-ABS		
		BRACKET-SUS		
COLOR OF HOUSING		MAKER STANDARD		
USE VOLT.	CURRNET	DC12V ~ 24V	MAX. 0.750A	
		AC110V ~ 220V	MAX. 0.100A	
KIND OF SOUND	VOLUME	WARNING SOUNDS 31Ch	MAX. 98dB at 1m	
		MP3 SOUNDS	MAX. 95dB at 1m	
PROTECTION GRADE		WATER & DUST PROOF - IP54		
CABLE ENTRY		TERMINAL		



FOR LINEAR DIMENSIONS	ISO2768-1 : CLASS OF TOLERANCE				
	f	m	⊙	v	
0.5-3	±0.05	±0.1	±0.2	-	
3-6			±0.3	±0.5	
6-30	±0.1	±0.2	±0.5	±1	
30-120	±0.15	±0.3	±0.8	±1.5	
120-400	±0.2	±0.5	±1.2	±2.5	
400-1000	±0.3	±0.8	±2	±4	
FOR ANGULAR DIMENSIONS	0-10	±1°	±1°30'	±3°	
	10-50	±0°30'	±1°	±2°	
	50-120	±0°20'	±0°30'	±1°	
	120-400	±0°10'	±0°13'	±0°30'	

SURFACE FINISH		-		-		-		-	
Nr.	DWG. NO.	TITLE/ NAME		MAT'L	QTY	REFERENCE			
DSND BY	CHKD BY	CHKD BY	APRV BY	VIEW	DATE				
S.H.KIM	J.H.PARK		J.K.HAN	3	2016.10.05				
TITLE				MODEL					
QMPS OUTLINE DRWAING				QMPS					
				DWG. NO.		QMPS_OUT			
SCALE		SIZE		REV		SHEET			
N/S		A4		00		1/1			