

1 2 3 4 5 6

A

A

B

B

C

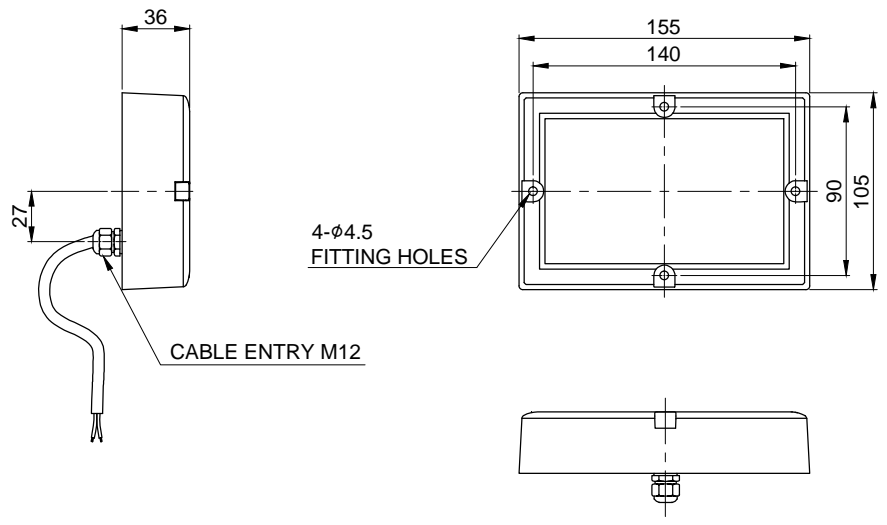
C

D

D

| MARK | DATE | REVISION | REVISER | APP .BY |
|------|------|----------|---------|---------|
| ①    |      |          |         |         |
| ②    |      |          |         |         |
| ③    |      |          |         |         |

|                  |     |                                 |          |        |             |
|------------------|-----|---------------------------------|----------|--------|-------------|
| MODEL NO         |     | QML-150-D                       |          |        |             |
| MATERIAL         |     | BODY-AL                         |          |        |             |
|                  |     | LENS-CHEMICAL TEMPERED GLASS    |          |        |             |
|                  |     | COVER-AL                        |          |        |             |
| COLOR OF LENS    |     | UNCLEAR                         |          |        |             |
| USE VOLT.        | LED | CURRENT                         | CHIP LED | DC24V  | MAX. 0.580A |
|                  |     |                                 |          | AC110V | MAX. 0.110A |
|                  |     |                                 |          | AC220V | MAX. 0.054A |
| PROTECTION GRADE |     | WATER & DUST PROOF IP67 / IP69K |          |        |             |
| CABLE ENTRY      |     | M12                             |          |        |             |



※ POWER CABLE : Dura & Flex-F VU(0.5sq X 2C) 450mm

| ISO2768-1 : CLASS OF TOLERANCE |         |        |        |        | SURFACE FINISH | -                               |          | 1        |             | -     |            |
|--------------------------------|---------|--------|--------|--------|----------------|---------------------------------|----------|----------|-------------|-------|------------|
| FOR LINEAR DIMENSIONS          |         | f      | m      | ⊙      |                | v                               | Nr.      | DWG. NO. | TITLE/ NAME | MAT'L | QTY        |
|                                | 0.5-3   | ±0.05  | ±0.1   | ±0.2   | -              | DSND BY                         | CHKD BY  | CHKD BY  | APRV BY     | VIEW  | DATE       |
|                                | 3-6     |        |        | ±0.3   | ±0.5           | S.H.KIM                         | J.H.PARK |          | J.K.HAN     | 3     | 2016.08.30 |
|                                | 6-30    | ±0.1   | ±0.2   | ±0.5   | ±1             | TITLE QML-150-D OUTLINE DRAWING |          |          |             |       |            |
|                                | 30-120  | ±0.15  | ±0.3   | ±0.8   | ±1.5           | MODEL QML-150-D                 |          |          |             |       |            |
|                                | 120-400 | ±0.2   | ±0.5   | ±1.2   | ±2.5           | DWG. NO. QML-150-D_OUT          |          |          |             |       |            |
| 400-1000                       | ±0.3    | ±0.8   | ±2     | ±4     | SCALE N/S      |                                 | SIZE A4  | REV 00   | SHEET 1/1   |       |            |
| FOR ANGULAR DIMENSIONS         |         | ±1°    |        | ±1°30' | ±3°            |                                 |          |          |             |       |            |
|                                | 0-10    |        |        |        |                |                                 |          |          |             |       |            |
|                                | 10-50   | ±0°30' |        | ±1°    | ±2°            |                                 |          |          |             |       |            |
|                                | 50-120  | ±0°20' |        | ±0°30' | ±1°            |                                 |          |          |             |       |            |
| 120-400                        | ±0°10'  |        | ±0°13' | ±0°30' |                |                                 |          |          |             |       |            |

1 2 3 4 5 6

A4(297X210)