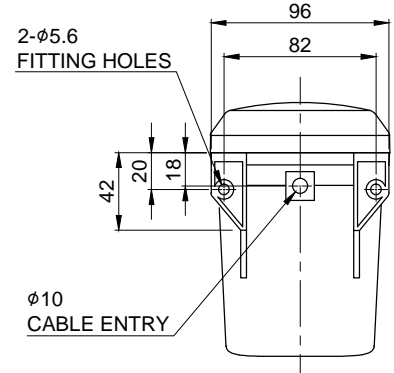
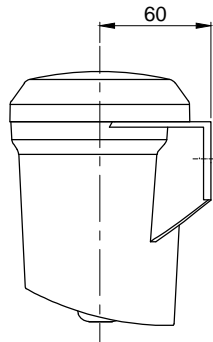
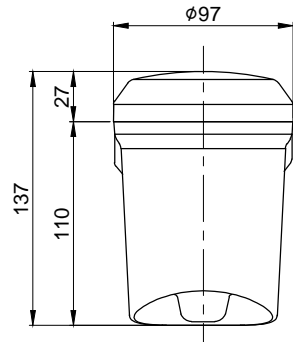


MARK	DATE	REVISION	REVISER	APP .BY
①				
②				
③				

MODEL NO		QAP100H		
MATERIAL		HOUSING-ABS		
		RESONANCE CHAMBER-ABS		
		-		
COLOR OF HOUSING		MAKER STANDARD		
USE VOLT.	CURRNET	DC12V ~ 24V	MAX. 0.800A	
		AC110V ~ 220V	MAX. 0.290A	
KIND OF SOUND	VOLUME	WARNING SOUNDS 30Ch	MAX. 115dB at 1m	
		MP3 SOUNDS	MAX. 100dB at 1m	
PROTECTION GRADE		WATER & DUST PROOF - IP65		
CABLE ENTRY		φ10 CABLE ENTRY		



	ISO2768-1 : CLASS OF TOLERANCE					SURFACE FINISH
	f	m	Ⓢ	v		
FOR LINEAR DIMENSIONS	0.5-3	±0.05	±0.1	±0.2	-	
	3-6			±0.3	±0.5	
	6-30	±0.1	±0.2	±0.5	±1	
	30-120	±0.15	±0.3	±0.8	±1.5	
	120-400	±0.2	±0.5	±1.2	±2.5	
	400-1000	±0.3	±0.8	±2	±4	
FOR ANGULAR DIMENSIONS	0-10	±1°		±1°30'	±3°	
	10-50	±0°30'		±1°	±2°	
	50-120	±0°20'		±0°30'	±1°	
	120-400	±0°10'		±0°13'	±0°30'	

Nr.	DWG. NO.	TITLE/ NAME	MAT'L	QTY	REFERENCE
DSND BY	CHKD BY	CHKD BY	APRV BY	VIEW	DATE
S.H.KIM	J.H.PARK		J.K.HAN	3	2016.08.30
TITLE			MODEL		
QAP100H OUTLINE DRAWING			QAP100H		
			DWG. NO.		
			QAP100H_OUT		
SCALE	SIZE	REV	SHEET		
N/S	A4	00	1/1		