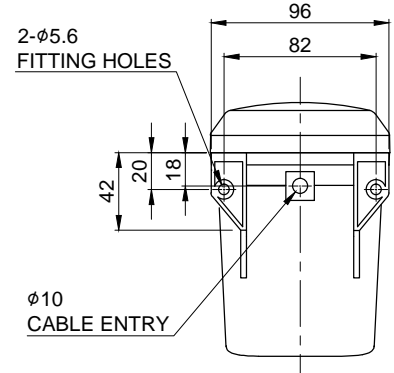
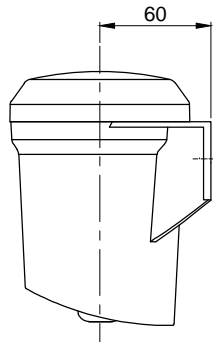
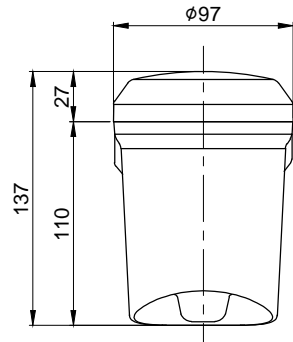


MARK	DATE	REVISION	REVISER	APP .BY
①				
②				
③				

MODEL NO	QAP100BZ		
MATERIAL	HOUSING-ABS		
	RESONANCE CHAMBER-ABS		
	-		
COLOR OF HOUSING	MAKER STANDARD		
USE VOLT.	CURRNET	DC12V	MAX. 0.300A
		DC24V	MAX. 0.150A
		AC110V ~ 220V	MAX. 0.033A
VOLUME	MAX. 105dB at 1m		
PROTECTION GRADE	WATER & DUST PROOF - IP65		
CABLE ENTRY	φ10 CABLE ENTRY		



ISO2768-1 : CLASS OF TOLERANCE					SURFACE FINISH	-		1		-		
FOR LINEAR DIMENSIONS		f	m	Ⓢ		v	Nr.	DWG. NO.	TITLE/ NAME	MAT'L	QTY	REFERENCE
	0.5-3	±0.05	±0.1	±0.2	-	DSND BY	CHKD BY					
	3-6			±0.3	±0.5	S.H.KIM	J.H.PARK		J.K.HAN	VIEW	DATE	
	6-30	±0.1	±0.2	±0.5	±1					3	2016.08.30	
	30-120	±0.15	±0.3	±0.8	±1.5	TITLE			MODEL			
	120-400	±0.2	±0.5	±1.2	±2.5	QAP100BZ OUTLINE DRAWING			QAP100BZ			
400-1000	±0.3	±0.8	±2	±4				QAP100BZ_OUT				
FOR ANGULAR DIMENSIONS	0-10	±1°		±1°30'	±3°	DWG. NO.		QAP100BZ_OUT				
	10-50	±0°30'		±1°	±2°	SCALE	SIZE	REV	SHEET			
	50-120	±0°20'		±0°30'	±1°	N/S	A4	00	1/1			
	120-400	±0°10'		±0°13'	±0°30'							