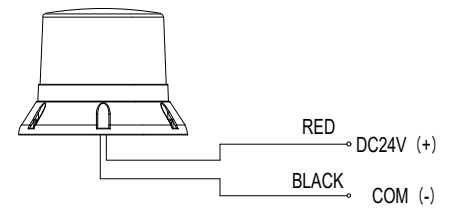
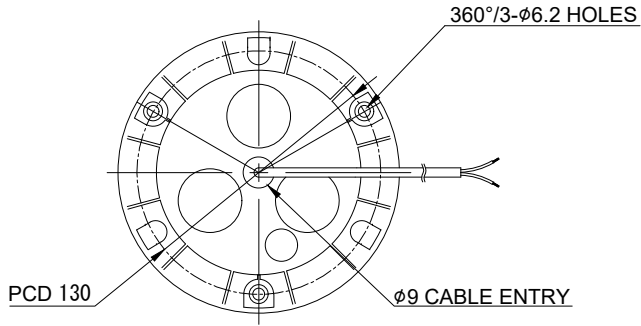
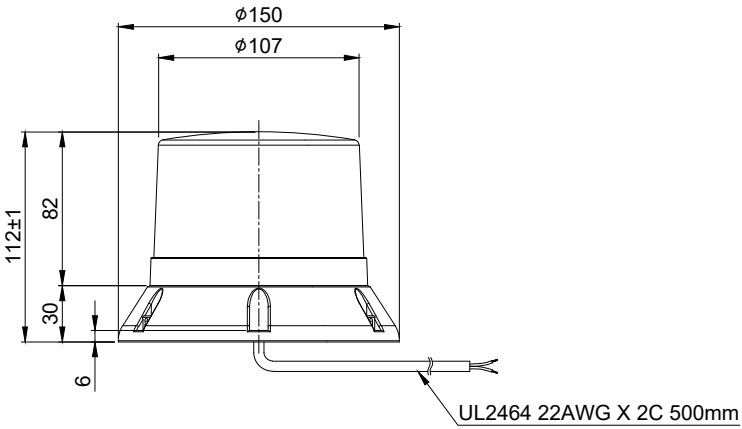


MARK	DATE	REVISION	REVISER	APP. BY
①				
②				

MODEL NO	QAOL1			
MATERIAL	LENS-PC			
	HOUSING-PC			
COLOR OF LENS	AMBER			
FLASHES PER MIN.	60 ~ 90			
USE VOLT.	LED	CURRENT	DC15V ~ 30V	MAX. 0.44A(at VDC24)
PROTECTION GRADE	WATER & DUST PROOF IP66			
CABLE ENTRY	ø9 LEAD HOLE			
COLOR OF HOUSING	MAKER STANDARD			
ACTION	LED LOW INTENSITY OBSTRUCTION LIGHT			



ELECTRICAL CONNECTION DIAGRAM

FOR LINEAR DIMENSIONS	ISO2768-1 : CLASS OF TOLERANCE				
	f	m	Ⓢ	v	
0.5~3	±0.05	±0.1	±0.2	-	
3~6			±0.3	±0.5	
6~30	±0.1	±0.2	±0.5	±1	
30~120	±0.15	±0.3	±0.8	±1.5	
120~400	±0.2	±0.5	±1.2	±2.5	
400~1000	±0.3	±0.8	±2	±4	
FOR ANGULAR DIMENSIONS	0~10	±1°	±1°30'	±3°	
	10~50	±0°30'	±1°	±2°	
	50~120	±0°20'	±0°30'	±1°	
	120~400	±0°10'	±0°13'	±0°30'	

SURFACE FINISH		-		1		
Nr.	DWG. NO.	TITLE/ NAME		MAT'L	QTY	REFERENCE
DSND BY	CHKD BY	CHKD BY	APRV BY	VIEW	DATE	
S.H.KIM	J.H.PARK		J.K.HAN	3	2017.05.10	
TITLE				MODEL		
QAOL1 OUTLINE DRAWING				QAOL1		
				DWG. NO.		
				QAOL1_OUT		
SCALE	SIZE	REV	SHEET			
N/S	A4	00	1/1			