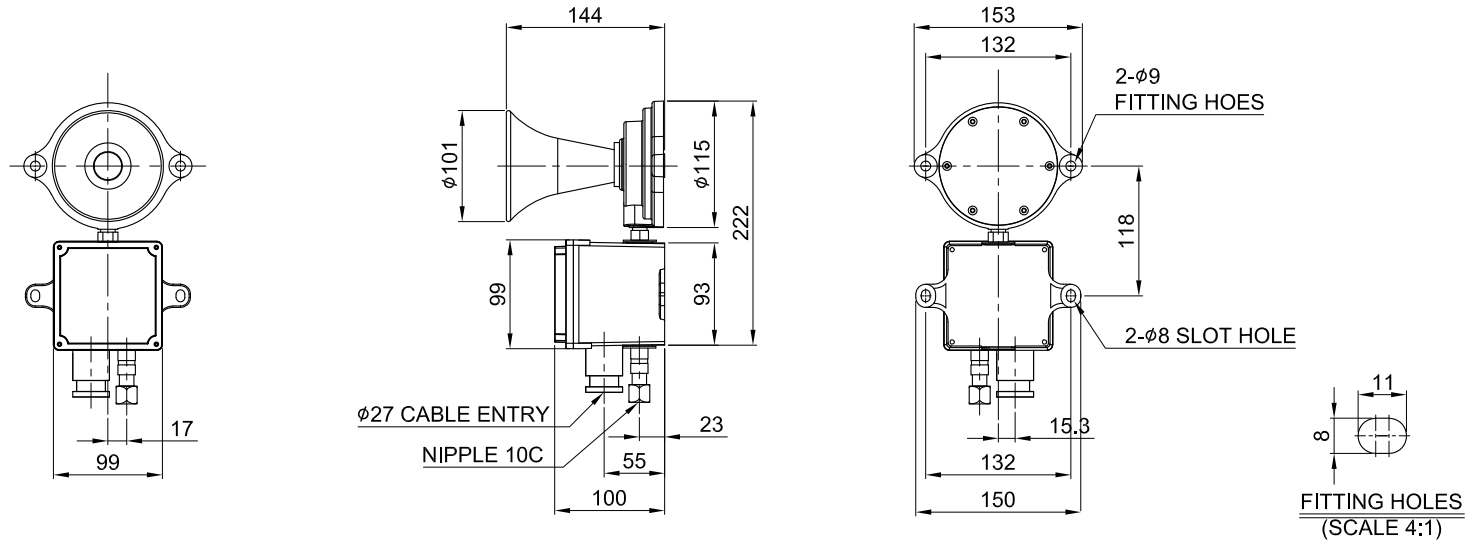


MARK	DATE	REVISION	REVISER	APP.BY
△				
△				
△				

MODEL NO	PSSANA700		
MATERIAL	HON HOUSING-PC SOLENOID VALVE BOX-ABS		
USE VOLT.	CURRENT	DC24V	MAX. 0.448A
		AC110V	MAX. 0.111A
		AC220V	MAX. 0.055A
VOLUME	MAX. 130dB at 1m		
PROTECTION GRADE	WATER & DUST PROOF IP56		
CABLE ENTRY	φ27 CABLE		
COLOR OF HOUSING	RED, BLACK, MUNSELL NO.75BG 7/2		
OPERATING AIR PRESSURE	5~7kg/cm ²		



FOR LINEAR DIMENSIONS	ISO2768-1 : CLASS OF TOLERANCE				
	f	m	Ⓞ	v	
0.5-3			±0.2	-	
3-6	±0.05	±0.1	±0.3	±0.5	
6-30	±0.1	±0.2	±0.5	±1	
30-120	±0.15	±0.3	±0.8	±1.5	
120-400	±0.2	±0.5	±1.2	±2.5	
400-1000	±0.3	±0.8	±2	±4	
FOR ANGULAR DIMENSIONS	0-10	±1°	±1°30'	±3°	
	10-50	±0°30'	±1°	±2°	
	50-120	±0°20'	±0°30'	±1°	
	120-400	±0°10'	±0°13'	±0°30'	

Nr.	DWG. NO.	TITLE/ NAME	MAT'L	1	-
DSND BY	CHKD BY	CHKD BY	APRV BY	VIEW	DATE
J.H.PARK	J.H.PARK		J.K.HAN	3	2017.11.16
TITLE PSSANA700 OUTLINE DRAWING			MODEL PSSANA700		
			DWG. NO. PSSANA700_OUT		
SCALE N/S	SIZE A4	REV 00	SHEET 1/1		