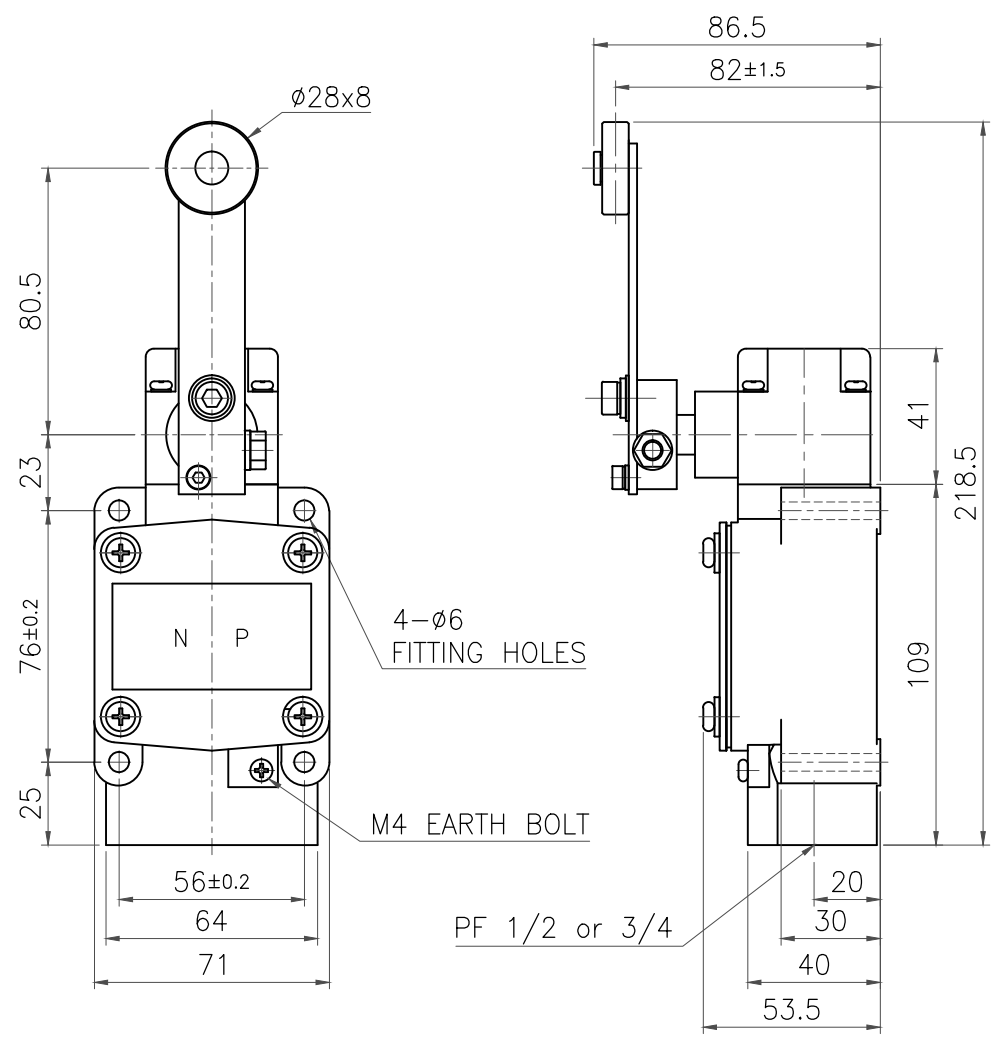


Nr.	REVISION NOTE	DATE	SIGN	CHKD



MODEL NO	SW2MS-LRL
MATERIAL	HEAD&BODY - CASTING BRASS BOLT, NUT & ETC.-SUS304
CONTACT	2CKT-DB, 1A1B
PROTECTION GRADE	WATER & DUST PROOF-IP67
CABLE ENTRY	STANDARD-PF3/4 OPTION-PF1/2
COLOR	MAKER STANDARD
INSULATION RESISTANCE	100M Ω MIN. AT 500V DC

1	-	-	-	1	-	-
Nr.	TITLE/ NAME	MAT'L	SPEC.	QT'Y	W'T	REFERENCE
DSND BY	CHKD BY	CHKD BY	APRV BY	VIEW	DATE	SCALE
G-H,AHN				3	100115	N.S
			TITLE OUT-LINE DRAWING SW2MS-LRL			
			DWG. Nr. SW2MS-LRL-OUT		EDITION 1	SHEET 1/-